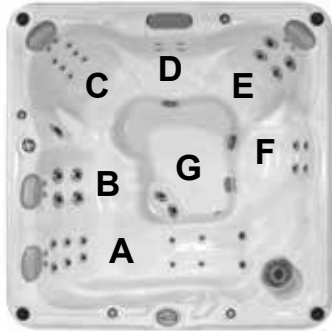


# 2015 Sundance Spas 680 Ramona™

## Specifications

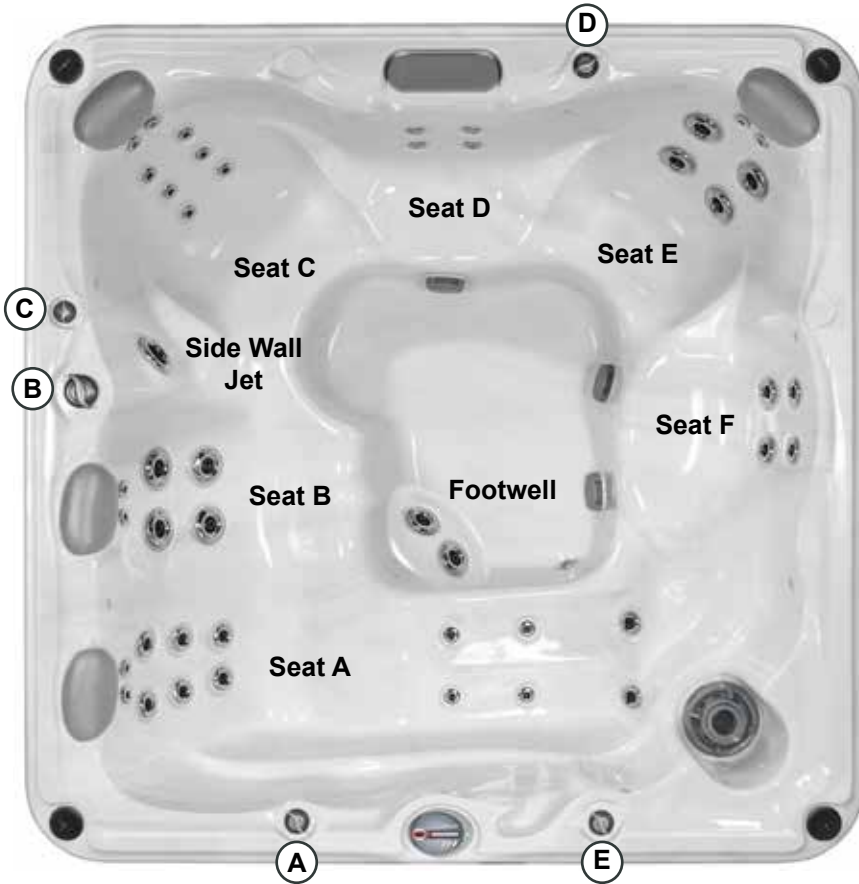
<b>Dimensions:</b> .....	89" x 89" x 36" (226 cm x 226 cm x 91.44 cm)	
<b>Seating Capacity:</b> .....	5-6 Adults	
<b>Dry Weight:</b> .....	774 lbs (351 kg)	
<b>Filled Weight (Spa Volume):</b> .....	5,111 lbs (2,318 kg)	
<b>Filled Weight (Average Fill):</b> .....	4,193 lbs (1,902 kg)	
<b>Water Capacity (Spa Volume):</b> .....	520 US Gal (1,968 Liters)	
<b>Water Capacity (Average Fill):</b> .....	410 US Gal (1,552 Liters)	
<b>Controls:</b> .....	Solid-State Electronic Controls with LED Readout, Programmable Water Temperature, Filtration, and Heat Cycles	
<b>Water Delivery:</b> .....	2 High Flow Pumps	
<b>Pump 1:</b> .....	North America (60 Hz): 2-Speed/2.5 HP Continuous, 11.0A Max., 56 Frame <b>Export (50 Hz): 2-Speed/2.0 HP continuous, 8.0A max.</b>	
<b>Pump 2:</b> .....	North America (60 Hz): 1-Speed/2.5 HP Continuous, 10.0A Max., 56 Frame <b>Export (50 Hz): 1-Speed/2.0 HP continuous, 8.0A max.</b>	
<b>Optional Pump 3:</b> .....	<b>N/A</b>	
<b>Total Hydrojets:</b> .....	<b>45</b>	
<b>Seat A Jets:</b> .....	2 DX, 8 DXL, 4 DV	
<b>Seat B Jets:</b> .....	2 DX, 2 DVX, 2 DVR	
<b>Seat C Jets:</b> .....	2 DX, 6 DL, 1 DST (Sidewall)	
<b>Seat D Jets:</b> .....	4 DL	
<b>Seat E Jets:</b> .....	2 DX, 4 DVR	
<b>Seat F Jets:</b> .....	4 DXL	
<b>Foot Well Jets (G):</b> .....	2 DVX	
<b>Air Controls/Massage Selectors:</b> .....	3/1	
<b>Filter:</b> .....	50 ft² Filter Cartridge System	
<b>Water Treatment:</b> .....	Factory installed CLEARRAY® Water Purification System	
<b>Lighting:</b> .....	CL LED Lighting System (Interior Surround and Waterfall)	
<b>Synthetic Cabinet:</b> .....	Available in Coastal, Mahogany, Autumn Walnut	
<b>Shell Colors:</b> .....	North America: Platinum, Sand, Sahara, Copper Sand, Celestite, Oyster, Monaco, Midnight, Caribbean Surf, Titanium <b>Export (50 Hz): All North America Colors</b>	
<b>Headrest:</b> .....	Four, 1-Piece Gray	
<b>Heater:</b> .....	North America (60 Hz): 5.5 kW, High Flow Standard <b>Export (50 Hz): 2.7 kW, High Flow Standard</b>	
<b>Electrical Requirements:</b> .....	North America (60 Hz): 240 VAC, 60 Hz@40A, 50A or 60A; <b>Export (50 Hz): 230-240 VAC@20A, 30A or 40A; or Suitably Rated Circuit Breaker to Comply with Local Electrical Regulations. Certain Countries May Require 2 Power Inputs; Two GFCI/RCD Breakers are Required for This Configuration.</b>	
<b>Limited Warranty*:</b> .....	North America (60 Hz): 5 Years Shell, 2 Years Shell Surface, 2 Years Equipment and Controls, 2 Years Plumbing Component Leaks, 1 Year Cabinet, 1 Year Jets, 1 Year Stereo <b>Export (50 Hz): 5 Years Shell, 2 Years Shell Surface, 2 Years Plumbing Component Leaks, 2 Years Equipment and Controls, 1 Year Cabinet, 1 Year Jets, 2 Years Stereo</b>	
<b>Waterfall Feature:</b> .....	Variable Valve Control	
<b>Audio System (Optional):</b> .....	Optional Factory Installed BLUEWAVE® Spa Stereo System (Bluetooth/Aux compatible only) with four speakers	

\*(See Warranty Document for Specific Details)

Dimensions/Specifications Subject To Change Without Notice

# 2015 Sundance Spas 680 Ramona

## Operation/Seat Depths



**(A)** Air Control - Activates Seat A Jets (2 DX, 8 DXL, 4 DV) + Seat B Jets (2 DX, 2 DVR, 2 DVX) + Seat F Jets (4 DXL)

**(B)** Massage Selector [Pump 1]- Adjusts Seat C Jets and Side Wall Jet + Seat D Jets + Seat E Jets

**(C)** Air Control - Activates Seat C Jets (2 DX, 6 DL)

**(D)** Air Control - Activates Side Wall Jet (1 DST) + Seat D Jets (4 DL) + Seat E Jets (2 DX, 4 DVR) + Footwell Jets (2 DVX)

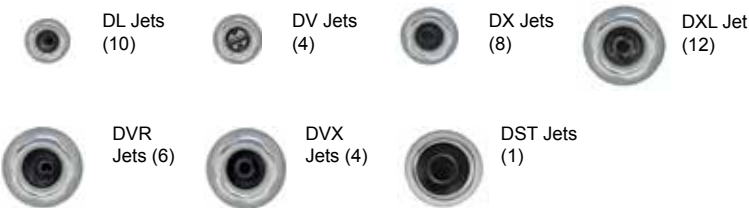
**(E)** Waterfall Selector [Pump 1] - Controls Waterfall Output

- Jets Pump 1: Powers Seat C Jets + Side Wall Jet + Seat D Jets + Seat E Jets + Footwell Jets when running

- Jets Pump 2: Powers Seat A Jets + Seat B Jets + Seat F Jets

NOTE: Footwell Jets (2 DVX) are on at all times when jets pump 1 is running

### 45 Total Jets



Spa Operation Subject To Change Without Notice

## SEAT DEPTHS

**A = 25.00" (63.50 cm)**

**B = 24.50" (62.23 cm)**

**C = 27.25" (69.22 cm)**

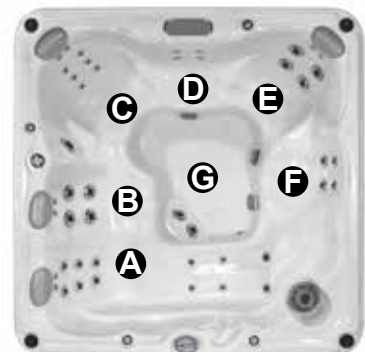
**D = 22.13" (56.20 cm)**

**E = 26.75" (67.95 cm)**

**F = 20.13" (51.12 cm)**

**G = 32.00" (81.28 cm)**

Listed dimensions represent distance from top of acrylic to lowest point in seat. **Tolerance ± 0.5" (1.27 cm).**



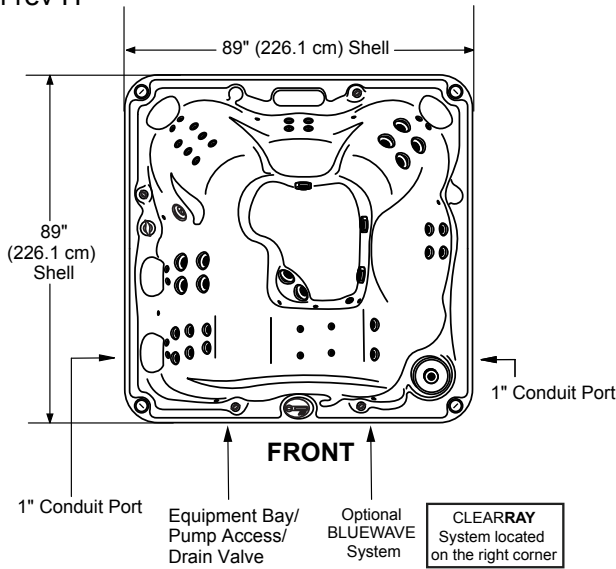
Dimensions/Specifications Subject To Change Without Notice

# 2015 Sundance Spas 680 Ramona

## Portable Dimensions

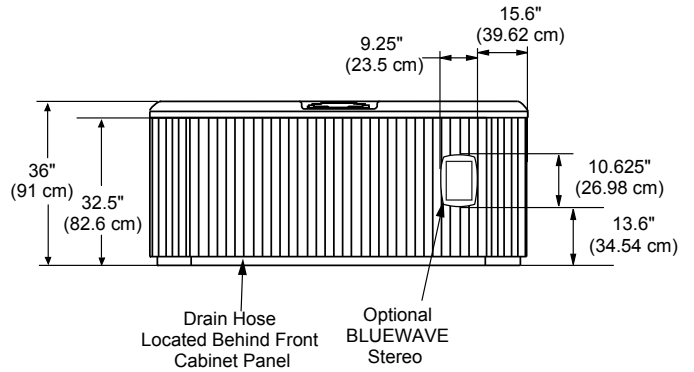
outline  
of rev H

### TOP VIEW



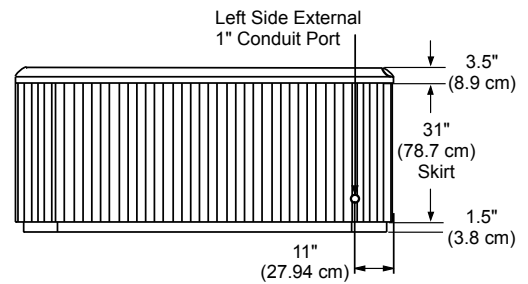
### FRONT VIEW (Front view with stereo option shown)

Tolerance:  $\pm 0.5"$  (1.27 cm)

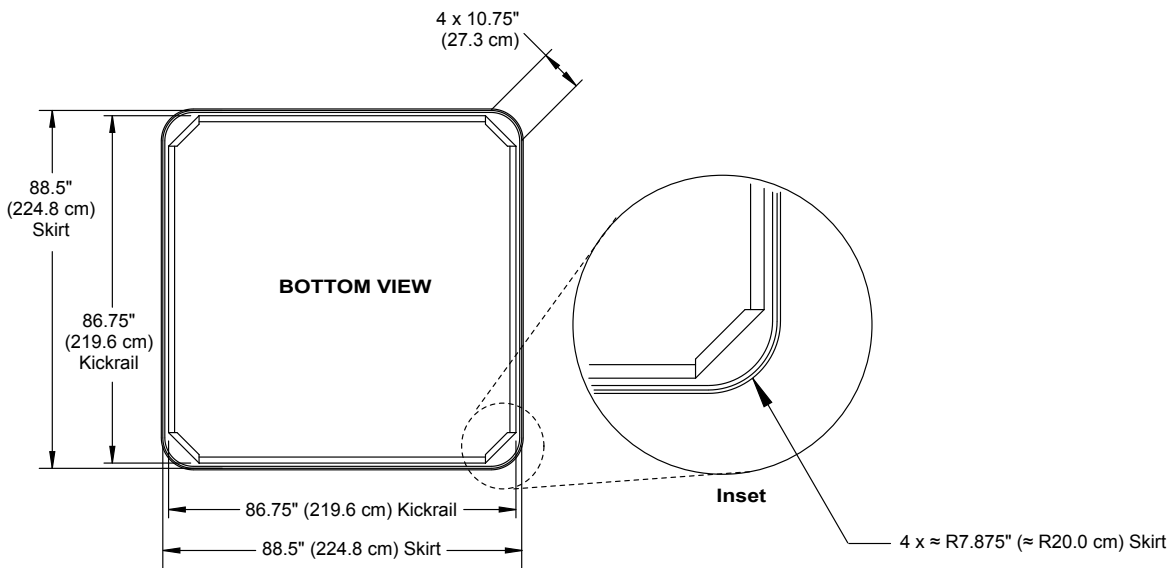


### BACK/SIDE VIEW

Tolerance:  $\pm 0.5"$  (1.27 cm)



**IMPORTANT! Always measure each hot tub for exact dimensions BEFORE designing its foundational support and/or decking.**



Dimensions/Specifications Subject To Change Without Notice